

MGP2(2进2出 多功能旋转接头/流体滑环)

订购型号说明

MGP21-ID12-VC

MGP2:多功能旋转接头

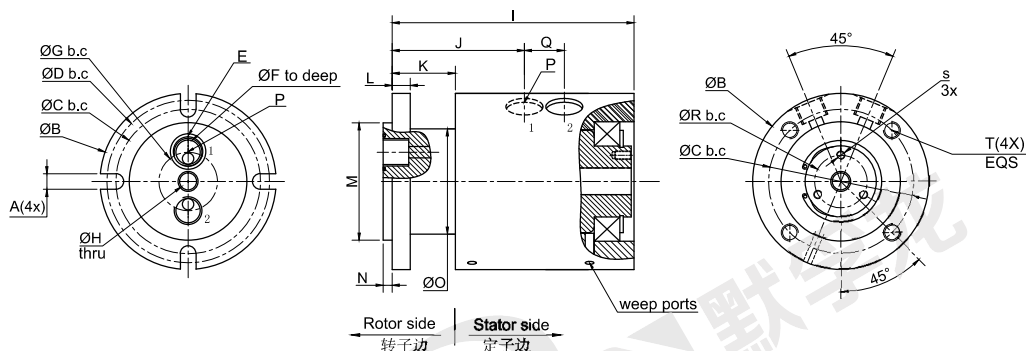
2: 2进2出

1: 接口尺寸, 1=G1/8", 2=G1/4", 3=G3/8"
4=G1/2", 5=G5/8", 6=G3/4", 8=G1", 10=G(1+1/4")

产品等级代号
VC 通用级产品等级
VD 工业级产品等级
默认省略=VC通用级产品等级

ID12: 内孔12mm

MGP2系列(多功能旋转接头)尺寸图



选型表

MGP2系列选型表

型号	通道数	接口尺寸	内孔尺寸	压力范围	型号	通道数	接口尺寸	内孔尺寸	压力范围
MGP21	2进2出	G1/8"	N/A	0-50MPa	MGP23-ID19	2进2出	G3/8"	19mm	0-50MPa
MGP21-ID12	2进2出	G1/8"	12mm	0-50MPa	MGP24	2进2出	G1/2"	N/A	0-50MPa
MGP22	2进2出	G1/4"	N/A	0-50MPa	MGP24-ID19	2进2出	G1/2"	19mm	0-50MPa
MGP22-ID19	2进2出	G1/4"	19mm	0-50MPa	MGP25-ID25	2进2出	G5/8"	25mm	0-50MPa
MGP23	2进2出	G3/8"	N/A	0-50MPa					

Size	MGP21	MGP21-ID12	MGP22	MGP22-ID19	MGP23	MGP23-ID19	MGP24	MGP24-ID19	MGP25-ID25
A	5.5mm	7.14mm	7.14mm	9.0mm	7.14mm	9.0mm	9.0mm	9.0mm	13.49mm
B	61.9mm	74.60mm	74.6mm	95.25mm	80.95mm	106.35mm	98.43mm	125.4mm	182.55mm
C	50.8mm	63.50mm	68.25mm	82.55mm	69.85mm	88.9mm	80.98mm	104.78mm	158.75mm
D	57.15mm	69.85mm	17.17mm	87.3mm	74.6mm	98.43mm	88.90mm	117.48mm	171.45mm
E	2-014 O-Ring [12.42mm]	2-015 O-Ring [12.44mm]	2-017 O-Ring [17.17mm]	2-017 O-Ring [17.17mm]	2-019 O-Ring [20.35mm]	2-019 O-Ring [20.35mm]	2-023 O-Ring [26.70mm]	2-023 O-Ring [26.70mm]	2-028 O-Ring [37.77mm]
F	4.0mm	4.0mm	6.4mm	6.4mm	9.5mm	9.5mm	12.7mm	12.7mm	25.40mm
G	20.62mm	33.32mm	25.4mm	44.45mm	30.15mm	47.63mm	36.5mm	57.15mm	76.2mm
H	N/A	12.7mm	N/A	19.05mm	N/A	19.05mm	N/A	19.05mm	25.4mm
I	85mm	92.4mm	111.1mm	121.2mm	119.5mm	134.9mm	137.0mm	156.4mm	218.4mm
J	46.5mm	51.6mm	57.5mm	63.6mm	60.0mm	67.2mm	68.7mm	79.9mm	111.1mm
K	22.2mm	25.4mm	25.4mm	28.5mm	25.4mm	28.5mm	30.1mm	41.3mm	41.3mm
L	6.35mm	6.35mm	6.35mm	7.92mm	6.35mm	7.92mm	7.92mm	9.53mm	15.90mm
M	41.28mm	55.55mm	50.8mm	69.85mm	60.33mm	76.2mm	69.85mm	92.1mm	127.00mm
N	3.18mm	3.18mm	3.18mm	3.18mm	3.18mm	3.18mm	3.18mm	4.75mm	4.75mm
O	39.0mm	45.97mm	49.27mm	63.5mm	57.15mm	72.15mm	65.53mm	88.9mm	133.35mm
P	G1/8"	G1/8"	G1/4"	G1/4"	G3/8"	G3/8"	G1/2"	G1/2"	G1"
Q	14mm	14mm	21.03mm	21.03mm	24.13mm	26.16mm	28.1mm	30.12mm	45.57mm
R	N/A	18.5	N/A	34.90mm	N/A	34.90mm	N/A	34.90mm	34.90
S	N/A	M3x0.5	N/A	M5x0.8	N/A	M5x0.8	N/A	M5x0.8	M5x0.8
T	M5	M6x1.0	M6x1.0	M8x1.25	M6x1.0	M8x1.25	M8x1.25	M8x1.25	M12x1.75